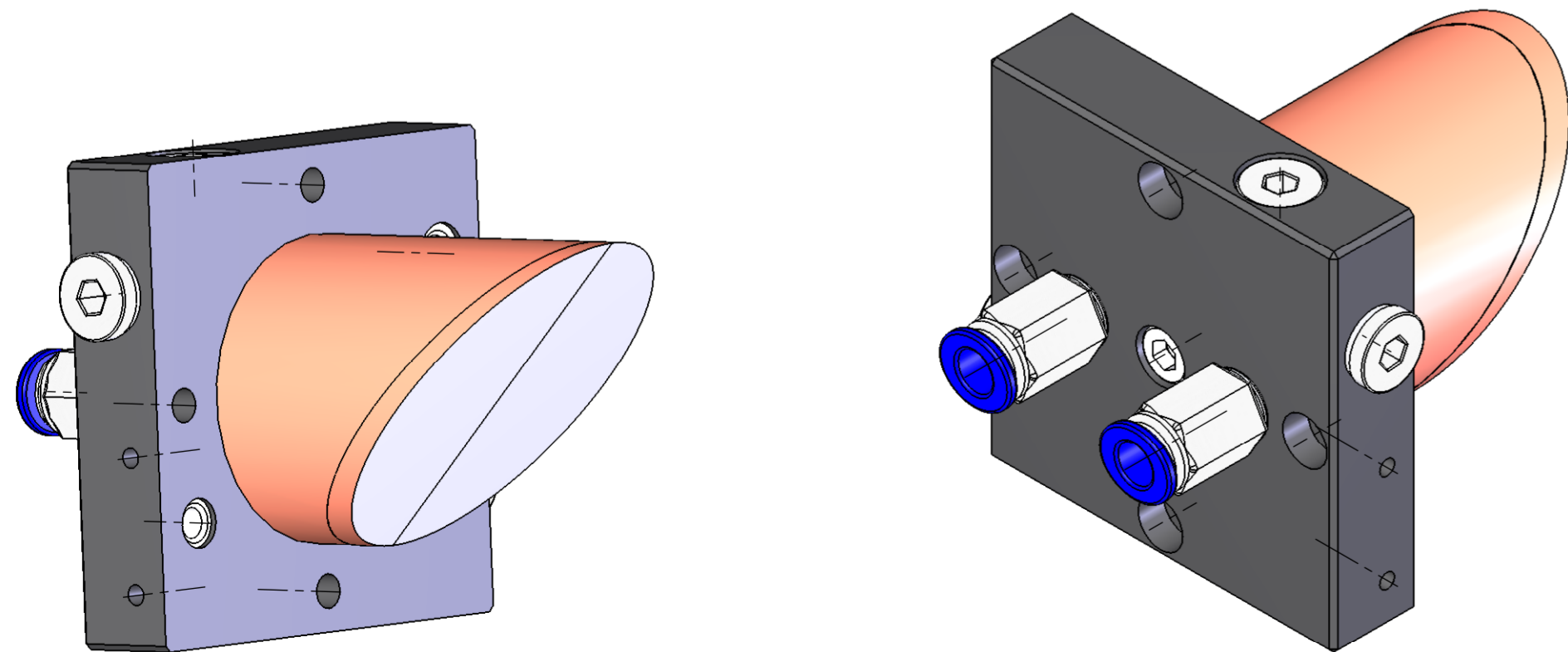
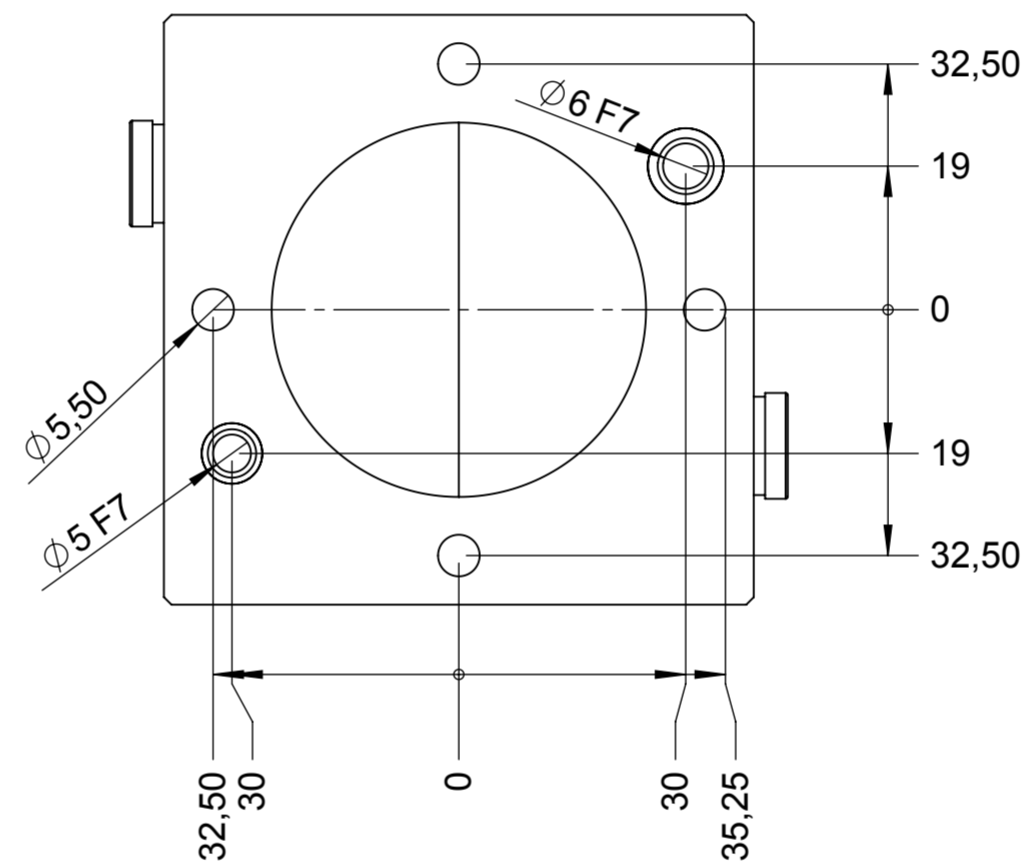
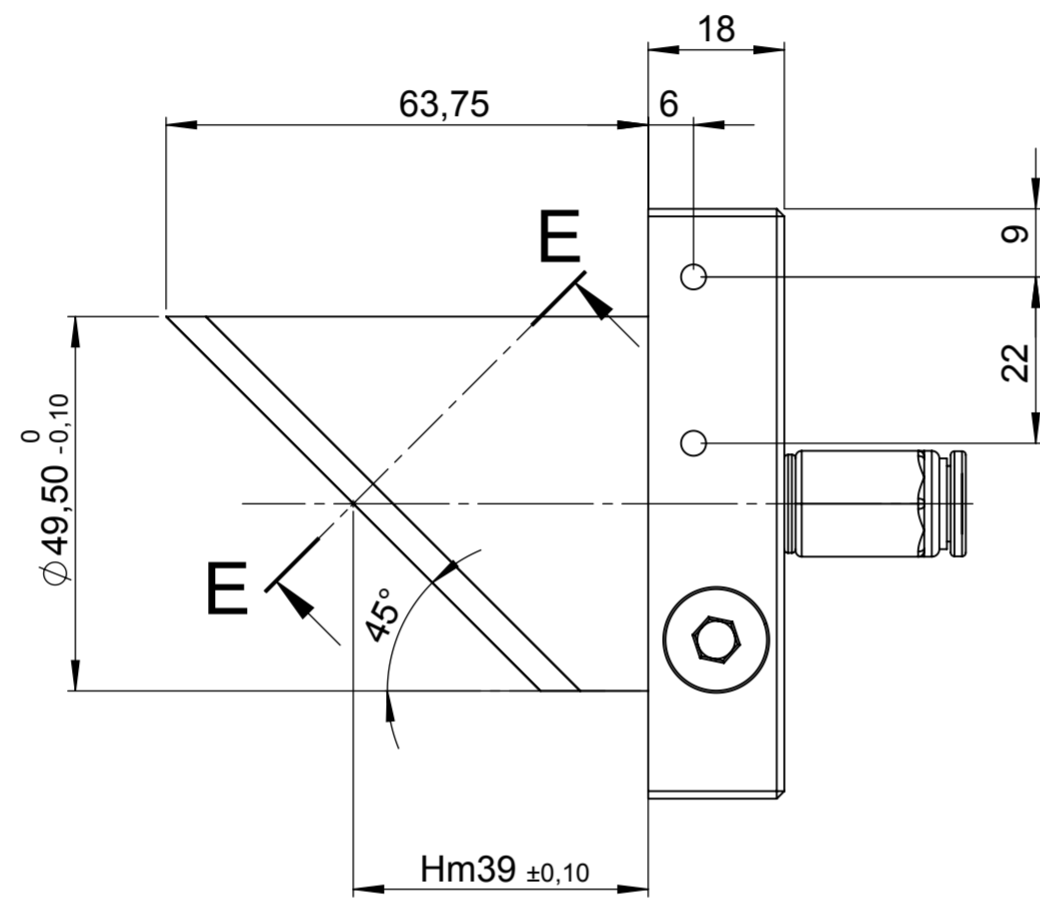
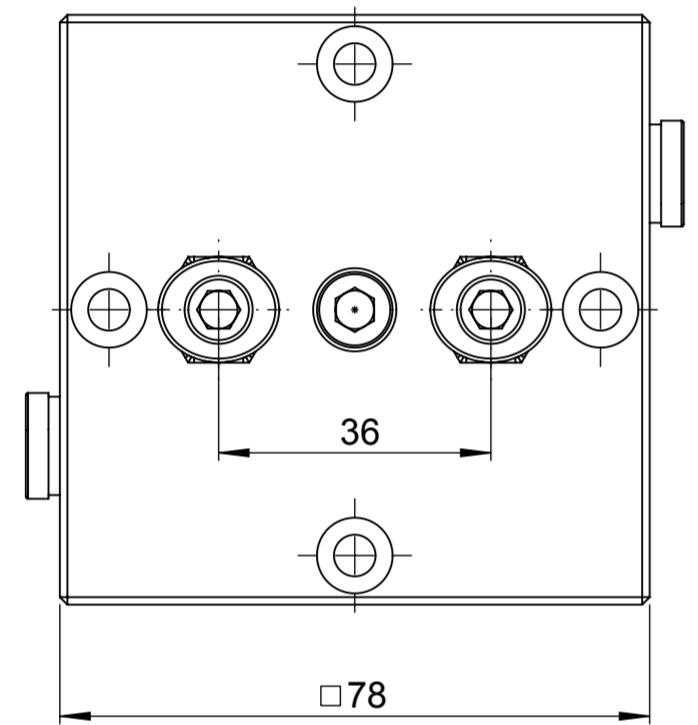
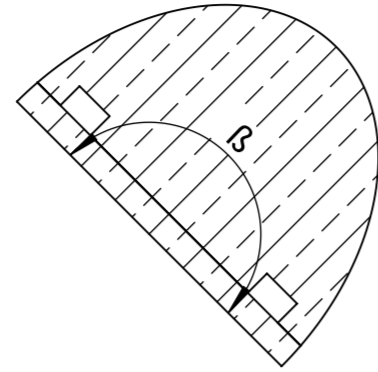
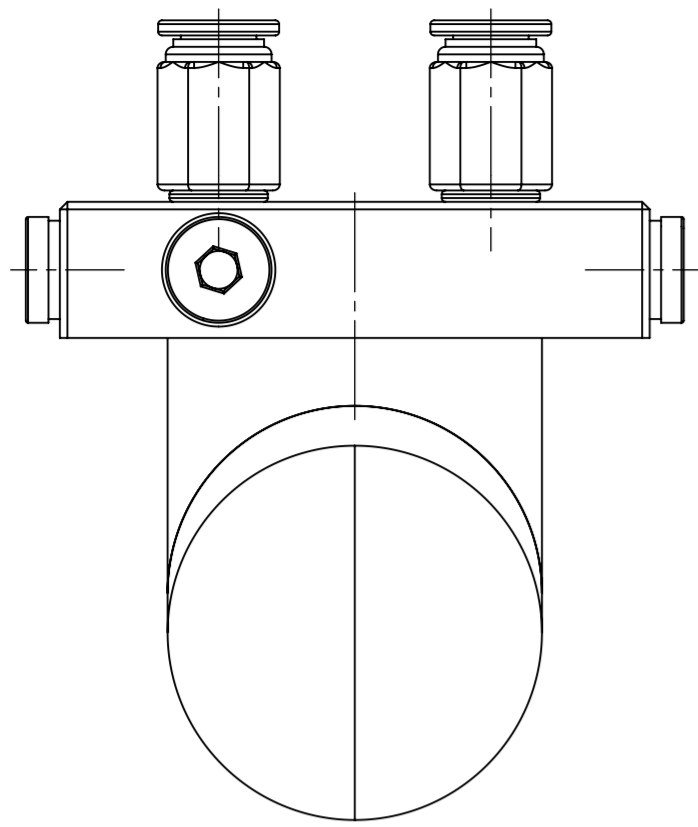


SCHNITTDARSTELLUNG E-E



Rooftop Mirror Unit LK390 0.0.043.42.003	Verkaufsartikel-Nr.
0.0.043.42.003 Pos01_179,885	27807
0.0.043.42.003 Pos02_179,885	30651
0.0.043.42.003 Pos03_179,957	30969
0.0.043.42.003 Pos04_179,946	33948
0.0.043.42.003 Pos05_179,784	34163
0.0.043.42.003 Pos06_179,892	29201
0.0.043.42.003 Pos07_179,920	29242
0.0.043.42.003 Pos08_179,940	35056
0.0.043.42.003 Pos09_179,797	35086
0.0.043.42.003 Pos10_179,878	35970
0.0.043.42.003 Pos11_179,838	36320
0.0.043.42.003 Pos12_179,920	36941
0.0.043.42.003 Pos13_179,878	36942
0.0.043.42.003 Pos14_179,900	37031
0.0.043.42.003 Pos15_179,730	38183
0.0.043.42.003 Pos16_179,943	39173
0.0.043.42.003 Pos17_179,959	39318
0.0.043.42.003 Pos18_179,870	41760
0.0.043.42.003 Pos19_179,968	42523
0.0.043.42.003 Pos20_179,940	46822
0.0.043.42.003 Pos21_179,935	47345
0.0.043.42.003 Pos22_179,878	49212
0.0.043.42.003 Pos23_179,919	49487
0.0.043.42.003 Pos24_179,946	50061
0.0.043.42.003 Pos25_179,757	53992
0.0.043.42.003 Pos26_179,890	57689
0.0.043.42.003 Pos27_179,838	64670
0.0.043.42.003 Pos28_179,734	66515

ISS.		MODIFY		DATUM		NAME	
KUGLER		SURFACE:		07.12.04		In	
MATERIAL:		DRAWN		CHECKED		PROTECTION REFERENCE TO DIN 34 OBSERVE	
SEMI-FINISHED PRODUCT:		SCALE:		DESCRIPTION:		ITEM:	
PROJECT:		1:1		Rooftop Mirror Unit LK390		A3	
NO. OF PIECES:		DESCRIPTION:		div across a		DRAWING NUMBER:	
DATE:		ORIG.:		REPLF.:		REPL. BY:	
NAME:		0.0.043.42.003.k.0		SHEET:		1	
						OF: 1	

TOLERANCES UNL.
STATED ISO 2768 mH



PROTECTION REFERENCE TO
DIN 34 OBSERVE