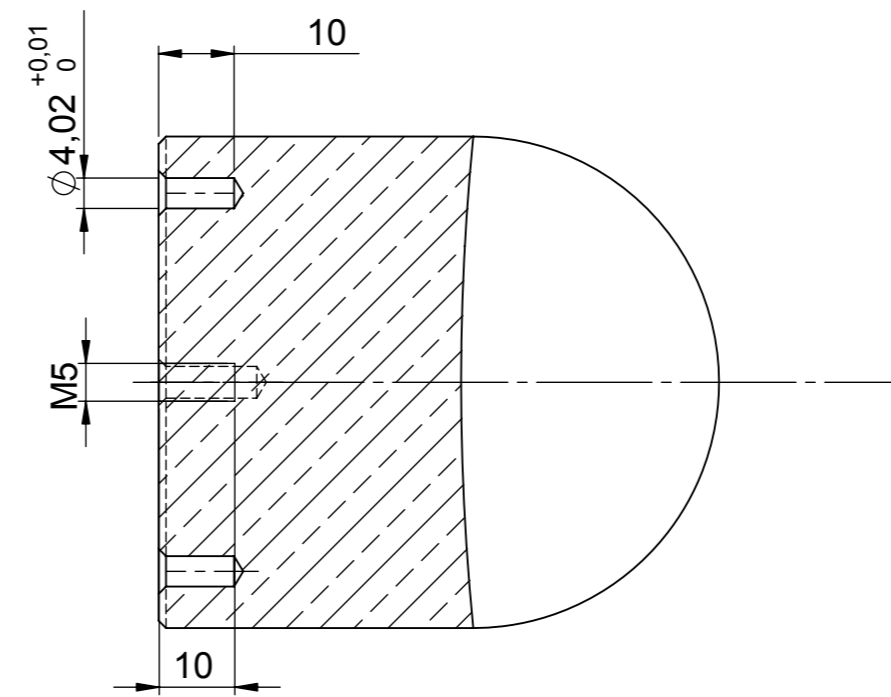
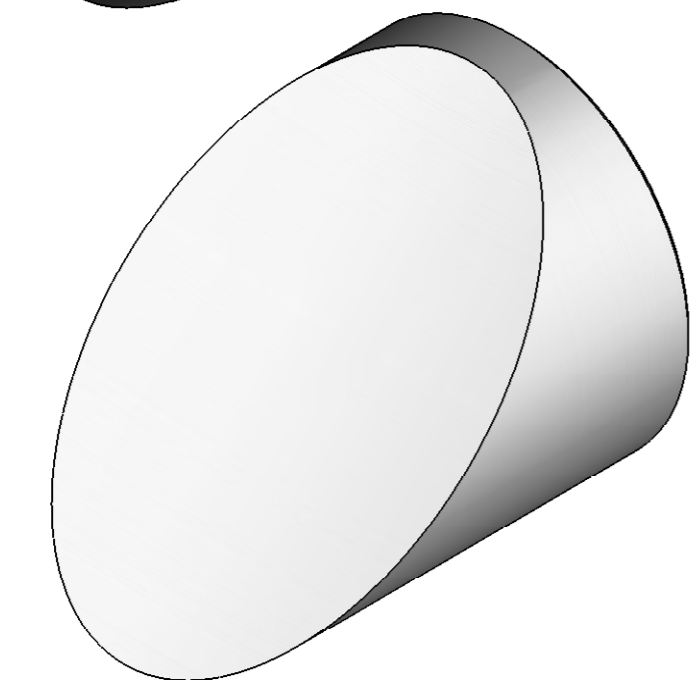
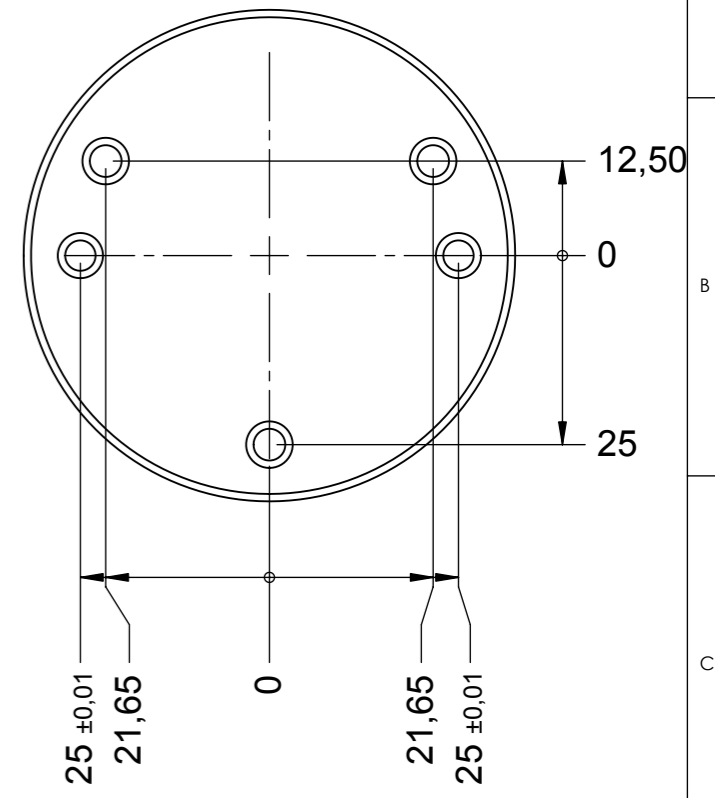
 0.002
*diamond flycut




SCHNITTDARSTELLUNG B-B

roughness: Ra < 10nm
form accuracy: < 0,75µm

1-4-104-00-000	Item	coating	focal length f ± 2%	Hh
Parabolic Mirror D65	48519	Hartgold	328	74,1101
Pos01				

MANUFACTURE	
PROJECT:	
NO OF PIECES:	
DATE:	
NAME:	

TOLERANCES UNL. STATED ISO 2768 mH			
ISS.	MODIFY	DATE	NAME
		10.07.07	In
SURFACE: 		MATERIAL: OFHC-Cu	DRAWN
		SEMI-FINISHED PRODUCT:	CHECKED
SCALE: 1:1	DESCRIPTION: Parabolic Mirror without cooling / Hm40 / bore scheme A-PA / M5		ITEM:
ORIG. 34188	REPL.F.	REPL.BY	DRAWING NUMBER: 1-4-104-00-000-k.0
			SHEET: 1
			OF: 1

