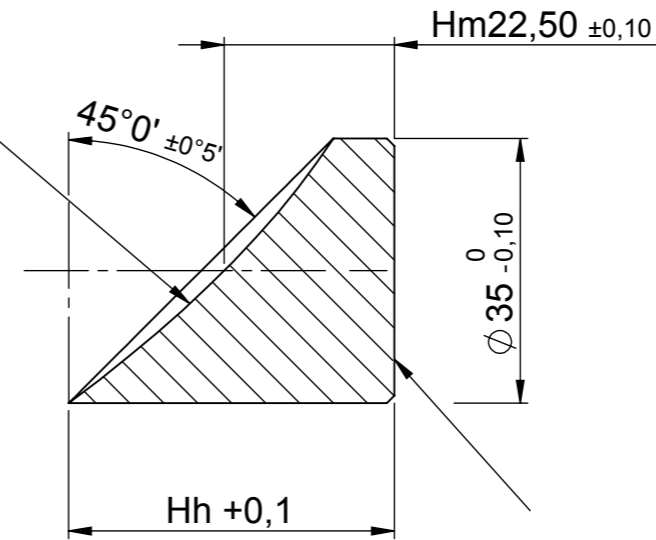


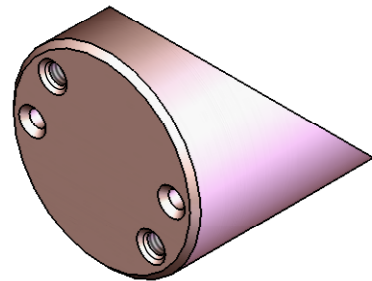
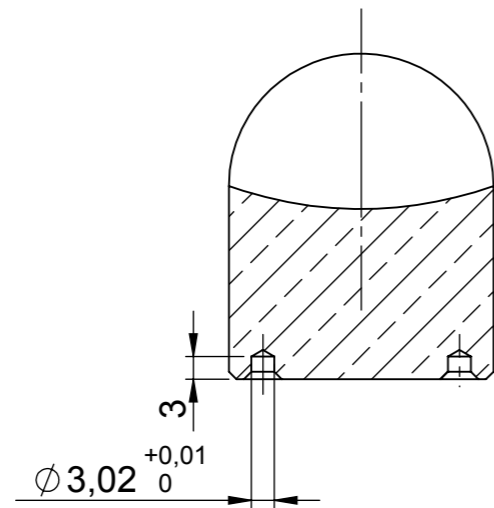
mirror surface  
diamond flycut



B-B

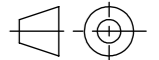
14.01.10

A-A



1-4-055-03-000 Parabolic Mirror D35	Item-Nr.	Coating	f'(mm)	Hh +0,1	KIS-Spot
1-4-055-03-001 Pos01 f200	36086	Molybdenum	200	40,766	
1-4-055-03-001 Pos02 f125	27725	uncoated	125	41,225	
1-4-055-03-001 Pos03 f250	13553	Protected Gold	250	40,613	0,4x0,4
1-4-055-03-001 Pos04 f300	28179	Molybdenum	300	40,510	2
1-4-055-03-001 Pos05 f400	29426	Protected Gold	400	40,383	
1-4-055-03-001 Pos06 f125	52351	Molybdenum	125	41,225	

TOLERANCES UNL.  
STATED ISO 2768 mH



PROTECTION REFERENCE TO  
DIN 34 OBSERVE

ISS.	MODIFY	DATE	NAME
		14.02.06	In
		14.01.10	AM
SURFACE:		MATERIAL: OFHC-Cu	DRAWN
SEMI-FINISHED PRODUCT:			CHECKED
SCALE: 1:1	DESCRIPTION: Parabolic Mirror D35 Hm 22,5 / bore scheme C	ITEM:	A4
ORIG.	REPL.F.	REPL.BY	DRAWING NUMBER: 1-4-055-03-001-k.0
			SHEET: 1
			OF: 1