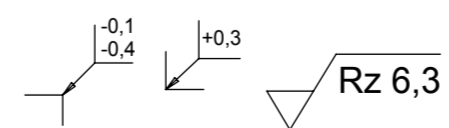
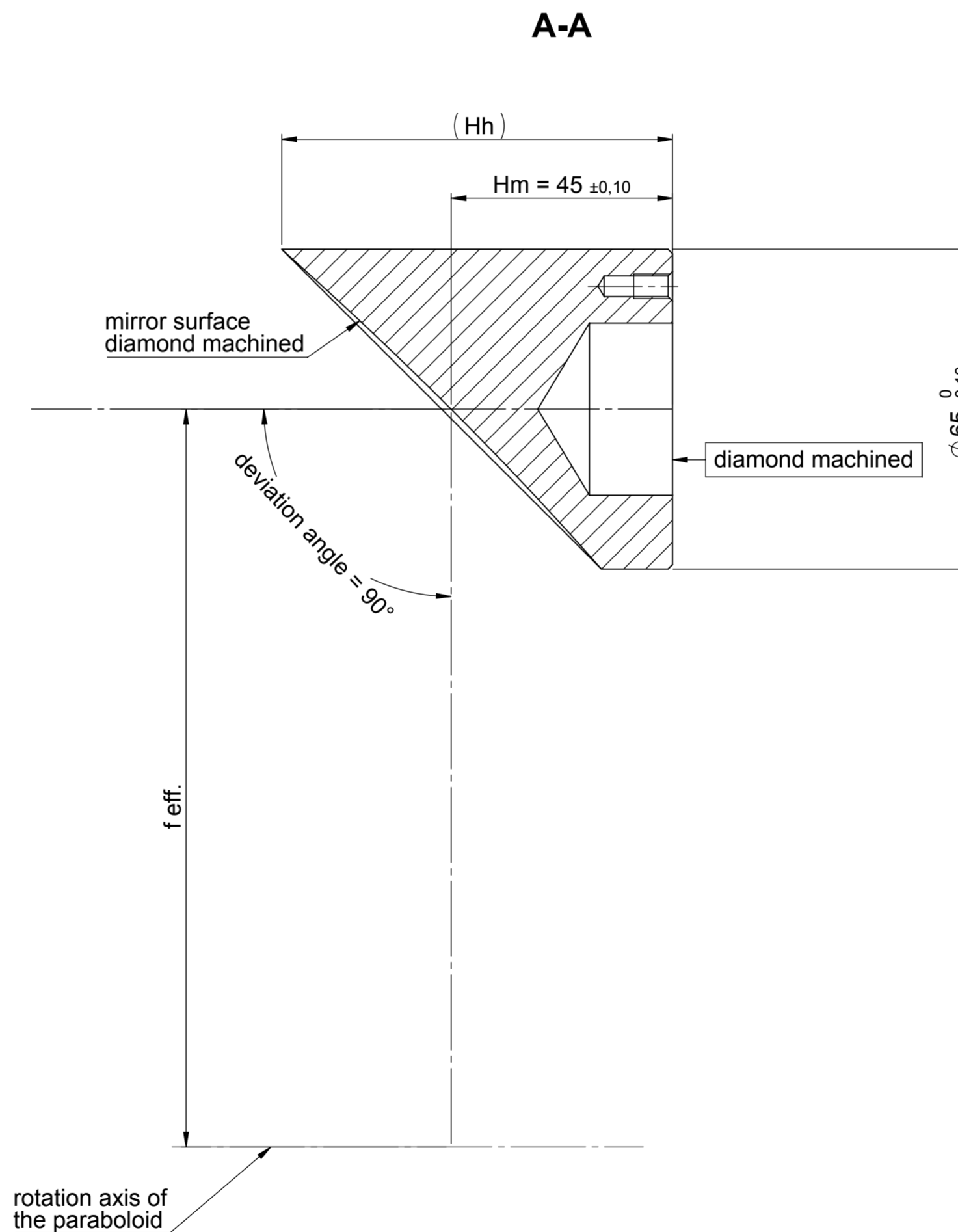
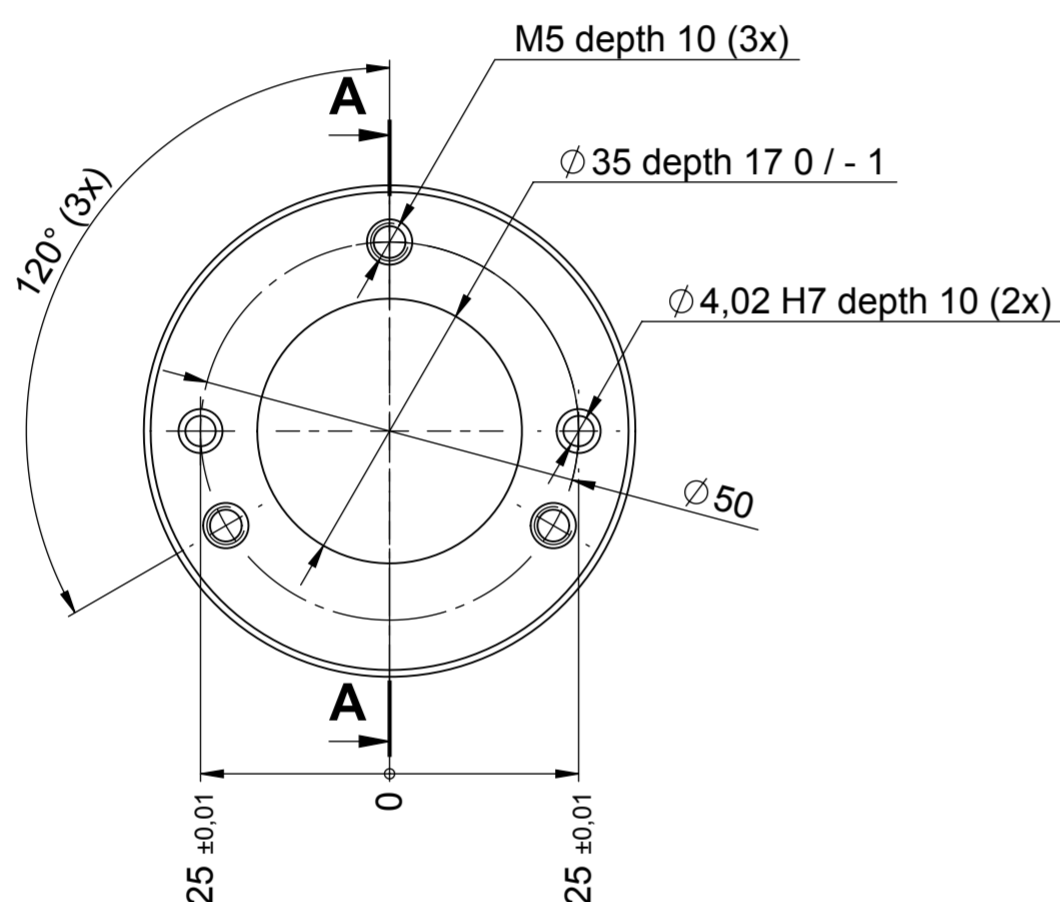
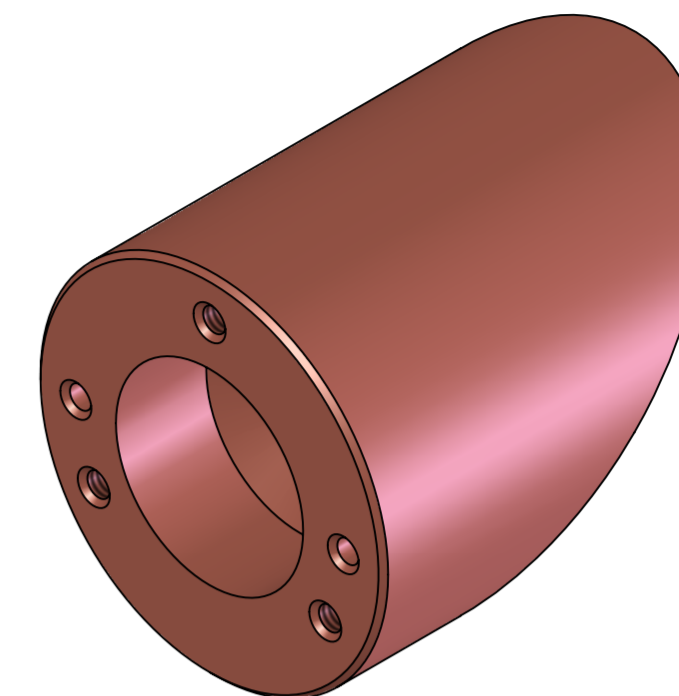


Drawing No.	Item-No.	Coating	eff. focal length	form accuracy PV	roughness Ra
1-5-053-01-000 Pos.01	16715	Molybdenum	270	< 1 μm	< 10 nm
1-5-053-01-000 Pos.02	33991	Hardgold	350	< 1 μm	< 10 nm
1-5-053-01-000 Pos.03	33908	Molybdenum	200	< 1 μm	< 10 nm
1-5-053-01-000 Pos.04	37784	Molybdenum	150	< 1 μm	< 10 nm
1-5-053-01-000 Pos.05	47302	Hardgold	300	< 1 μm	< 10 nm
1-5-053-01-000 Pos.06	71334	Molybdenum	350	< 1 μm	< 10 nm



ISS.				MODIFY		DATE		NAME	
				MATERIAL: OFE-Kupfer		DRAWN 24.09.15		GT	
				SURFACE:		CHECKED 24.09.15		GT	
SCALE: 1:1				DESCRIPTION: Parabolic Mirror				ITEM: A2	
								DRAWING NUMBER: 1-5-053-01-000-k.0	
								SHEET: 1	
								OF: 1	

TOLERANCES UNL. STATED ISO 2768 mH

PROTECTION REFERENCE TO DIN 34 OBSERVE