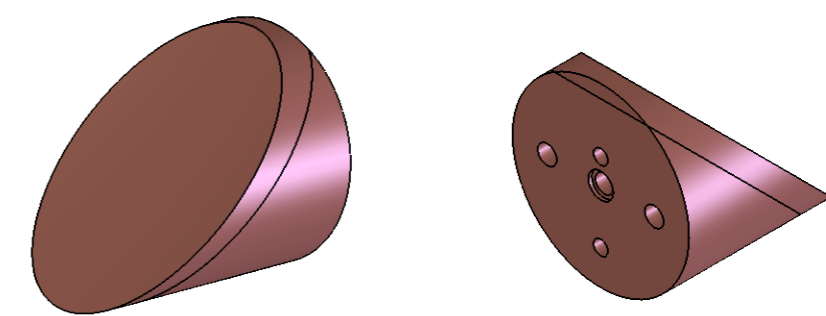
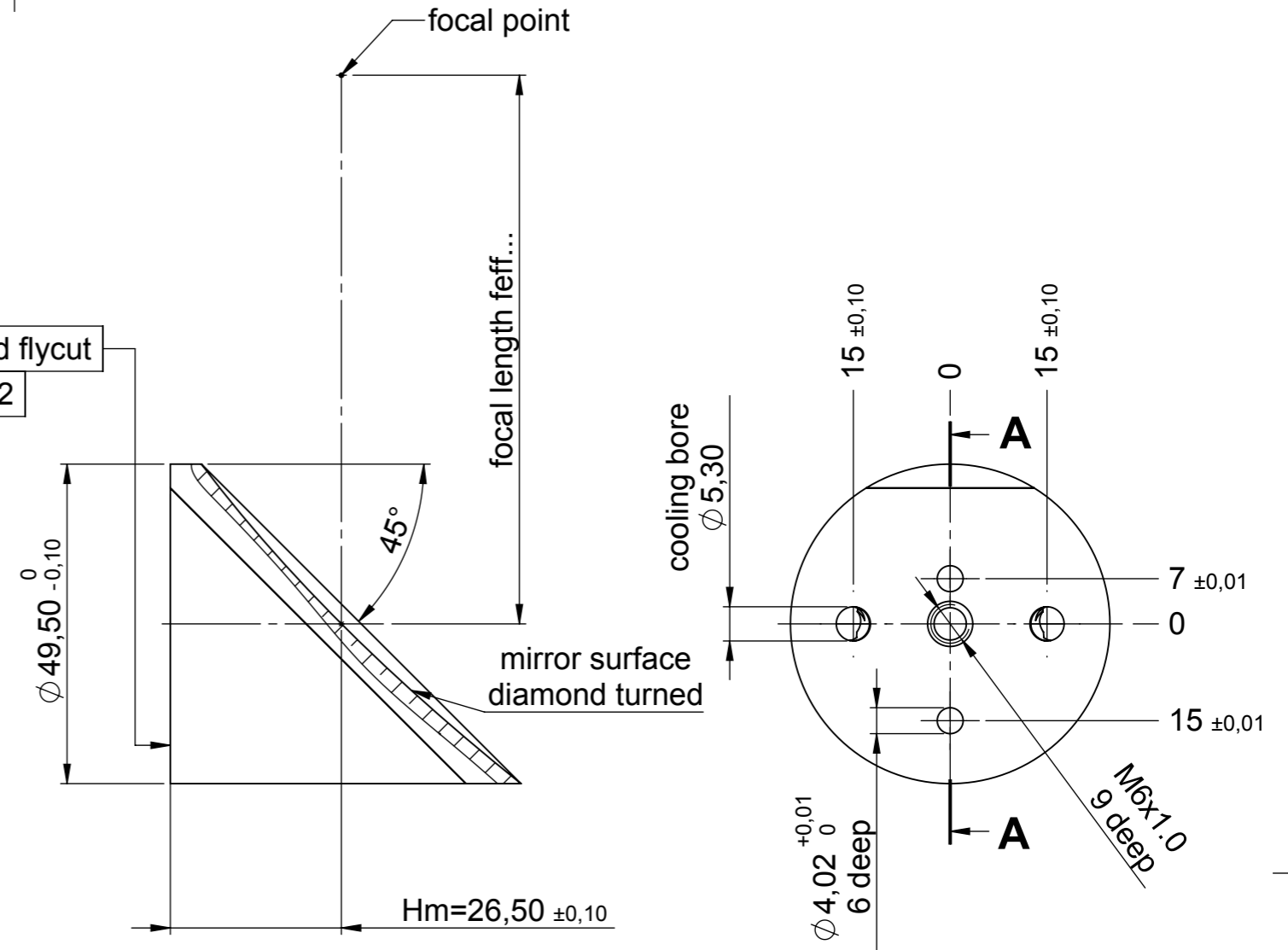


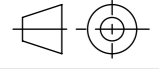
Drawing-No.	Item-No.	focal length feff	Hh+0,1	KIS	Coating	roughness Ra	form accuracy PV
1-5-044-00-000 Pos.01	14685	100	54,313		uncoated	< 6 nm	< 0,35 µm
1-5-044-00-000 Pos.02	14554	100	54,313		Molybdenum	< 10 nm	< 0,5 µm
1-5-044-00-000 Pos.03	14686	125	53,700		uncoated	< 6 nm	< 0,35 µm
1-5-044-00-000 Pos.04	14556	125	53,700		Molybdenum	< 10 nm	< 0,5 µm
1-5-044-00-000 Pos.05	14687	150	53,292		uncoated	< 6 nm	< 0,35 µm
1-5-044-00-000 Pos.06	14557	150	53,292		Molybdenum	< 10 nm	< 0,5 µm
1-5-044-00-000 Pos.07	14688	200	52,781		uncoated	< 6 nm	< 0,35 µm
1-5-044-00-000 Pos.08	14558	200	52,781		Molybdenum	< 10 nm	< 0,5 µm
1-5-044-00-000 Pos.09	14689	250	52,475		uncoated	< 6 nm	< 0,35 µm
1-5-044-00-000 Pos.10	14559	250	52,475		Molybdenum	< 10 nm	< 0,5 µm
1-5-044-00-000 Pos.11	14690	300	52,271		uncoated	< 6 nm	< 0,35 µm
1-5-044-00-000 Pos.12	14560	300	52,271		Molybdenum	< 10 nm	< 0,5 µm
1-5-044-00-000 Pos.13	14691	400	52,016		uncoated	< 6 nm	< 0,35 µm
1-5-044-00-000 Pos.14		400	52,016		Molybdenum	?????	?????
1-5-044-00-000 Pos.15	37826	175	53,000		Molybdenum	< 10 nm	< 0,5 µm
1-5-044-00-000 Pos.16	39071	175	53,000		uncoated	< 6 nm	< 0,35 µm
1-5-044-00-000 Pos.17	38580	270	52,384		Molybdenum	< 10 nm	< 0,5 µm
1-5-044-00-000 Pos.18	40233	270	52,384		uncoated	< 6 nm	< 0,35 µm
1-5-044-00-000 Pos.19	39170	270	52,384		Hardgold	< 6 nm	< 0,35 µm
1-5-044-00-000 Pos.20	42698	750	51,658		uncoated	< 6 nm	< 0,35 µm
1-5-044-00-000 Pos.21	46942	1000	51,556		uncoated	< 6 nm	< 0,35 µm
1-5-044-00-000 Pos.22	48002	700	51,688		Hardgold	< 6 nm	< 0,35 µm
1-5-044-00-000 Pos.23	48895	200	52,781		Hardgold	< 10 nm	< 0,5 µm
1-5-044-00-000 Pos.24	49548	350	52,125		uncoated	< 6 nm	< 0,35 µm
1-5-044-00-000 Pos.25	49966	350	52,125	8x2	Molybdenum	< 10 nm	< 0,5 µm
1-5-044-00-000 Pos.26	52123	200	52,781		uncoated	< 6 nm	< 0,35 µm
1-5-044-00-000 Pos.27	53275	200	52,781		Enhanced Gold-Yag	< 6 nm	< 0,35 µm
1-5-044-00-000 Pos.28	53277	250	52,475		Enhanced Gold-Yag	< 6 nm	< 0,35 µm
1-5-044-00-000 Pos.29	53584	125	53,700		Enhanced Gold-Yag	< 6 nm	< 0,35 µm
1-5-044-00-000 Pos.30	53585	600	51,760		Enhanced Gold-Yag	< 6 nm	< 0,35 µm
1-5-044-00-000 Pos.31	54701	150	53,292		Enhanced Gold-Yag	< 6 nm	< 0,35 µm
1-5-044-00-000 Pos.32	51057	350	52,125		Molybdenum	< 10 nm	< 0,5 µm
1-5-044-00-000 Pos.33	55190	300	52,271	30x1	Enhanced Gold-Yag	< 6 nm	< 1 µm
1-5-044-00-000 Pos.34	55026	250	52,475	30x2,5	uncoated	< 6 nm	< 1 µm
1-5-044-00-000 Pos.35	56550	500	51,863		uncoated	< 6 nm	< 0,35 µm
1-5-044-00-000 Pos.36	56865	150	53,292		Hardgold	< 6 nm	< 0,35 µm
1-5-044-00-000 Pos.37	53085	200	52,781		Hardgold	< 6 nm	< 0,35 µm
1-5-044-00-000 Pos.38	57730	600	51,760		Hardgold	< 6 nm	< 0,35 µm
1-5-044-00-000 Pos.39	58426	600	51,760		Molybdenum	< 6 nm	< 0,35 µm
1-5-044-00-000 Pos.40	58484	200	52,781		Hardgold	< 6 nm	< 0,35 µm
1-5-044-00-000 Pos.41	58550	300	52,271	15x1	Enhanced Gold-Yag	< 6 nm	< 1 µm
1-5-044-00-000 Pos.42	59420	300	52,271	3x3	Enhanced Gold-Yag	< 6 nm	< 0,35 µm
1-5-044-00-000 Pos.43	59421	400	52,016	3x3	Enhanced Gold-Yag	< 6 nm	< 0,35 µm
1-5-044-00-000 Pos.44	59601	200	52,781	125x1	Molybdenum	< 10 nm	< 1 µm
1-5-044-00-000 Pos.45	60093	300	52,271	5x3	uncoated	< 6 nm	< 0,35 µm
1-5-044-00-000 Pos.46	60168	300	52,271	10x2	uncoated	< 6 nm	< 1 µm
1-5-044-00-000 Pos.47	60883	150	53,292		Molybdenum	< 6 nm	< 0,5 µm
1-5-044-00-000 Pos.48	63073	300	52,271	10x4	uncoated	< 6 nm	< 1 µm
1-5-044-00-000 Pos.49	64868	300	54,313	10x1	uncoated	< 6 nm	< 1 µm
1-5-044-00-000 Pos.50	64869	300	52,271	6x1	uncoated	< 6 nm	< 1 µm
1-5-044-00-000 Pos.51	65390	400	52,016		Hardgold	< 6 nm	< 0,35 µm
1-5-044-00-000 Pos.52	56830	300	52,271		Hardgold	< 6 nm	< 0,35 µm
1-5-044-00-000 Pos.53	68360	250	52,475	14x1	Molybdenum	< 10 nm	< 0,5 µm
1-5-044-00-000 Pos.54	69766	600	51,760		uncoated	< 6 nm	< 0,35 µm
1-5-044-00-000 Pos.55	57053	250	52,475		Hardgold	< 6 nm	< 0,5 µm
1-5-044-00-000 Pos.56	54883	300	52,271	20x1	Enhanced Gold-Yag	< 6 nm	< 1 µm
1-5-044-00-000 Pos.57	70714	300	52,271	30x1	uncoated	< 6 nm	< 1 µm
1-5-044-00-000 Pos.58	71002	300	52,271	20x5	uncoated	< 6 nm	< 1 µm
1-5-044-00-000 Pos.59	71630	200	52,781	25x5	Molybdenum	< 10 nm	< 1 µm
1-5-044-00-000 Pos.60	72587	300	52,271	3x4	uncoated	< 6 nm	< 1 µm
1-5-044-00-000 Pos.61	73596	450	51,931		Hardgold	< 6 nm	< 0,35 µm
1-5-044-00-000 Pos.62	74124	350	52,125		Hardgold	< 6 nm	< 0,5 µm
1-5-044-00-000 Pos.63	74125	175	53,000		Hardgold	< 6 nm	< 0,5 µm
1-5-044-00-000 Pos.64	74444	100	54,313		Hardgold	< 10 nm	< 0,5 µm

diamond flycut
0.002



2		Brennweite von Pos.49 korrigiert (20.11.14/gt)		12.06.15	GT
1				07.10.14	GT
ISS.	MODIFY			DATE	NAME
KUGLER		SURFACE:	MATERIAL: OFHC-Cu	DRAWN	05.04.06
			SEMI-FINISHED PRODUCT: 21672	CHECKED	12.06.15
SCALE: 1:1		DESCRIPTION: PARABOLIC MIRROR $\varnothing 49,5$ parallel cooling/Hm=26,5±0,1/bore scheme F		ITEM: A3	
ORIG.		REPL.F.		REPL.BY	
				DRAWING NUMBER: 1-5-044-00-000-k.2	SHEET: 1
				OF: 1	

TOLERANCES UNL. STATED ISO 2768 mH



PROTECTION REFERENCE TO DIN 34 OBSERVE